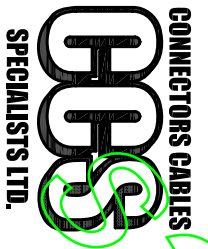
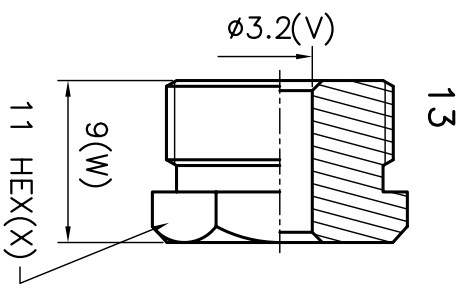
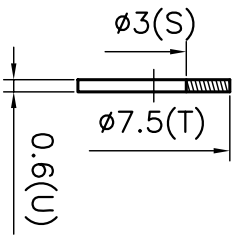
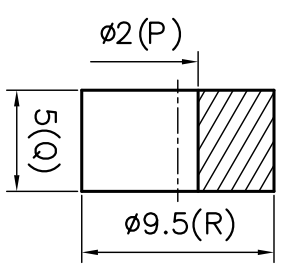
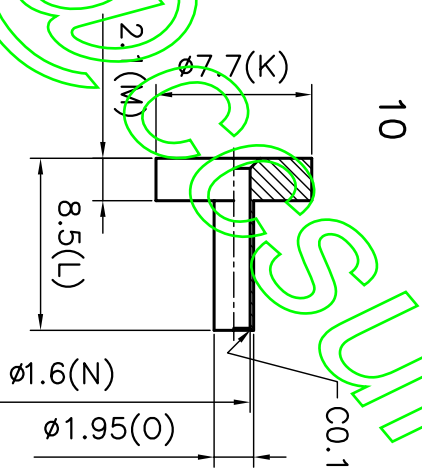


13	NUT	BRASS/NICKEL PLATE
12	WASHER	STEEL/NICKEL PLATE
11	GASKET	SILICONE RUBBER/WHITE
10	RING	BRASS/NICKEL PLATE
9	INSULATOR	TEFLON
8	CONTACT	BRASS/GOLD PLATE
7	INSULATOR	TEFLON
6	WASHER	STEEL/NICKEL PLATE
5	SPRING	STEEL/NICKEL PLATE
4	C TYPE WASER	STEEL/NICKEL PLATE
3	GASKET	SILICONE RUBBER/RED
2	BODY	BRASS/NICKEL PLATE
1	SHELL	BRASS/NICKEL PLATE
NO	DESCRIPTION	MATERIAL



APRD:	UNLESS OTHERWISE SPECIFIED TOLERANCES
CHKD:	0.5-5 = ±0.2
DR:	5-30 = ±0.4
	30-120 = ±0.6
	120-515 = ±1

TITLE: BNC MALE CLAMP	DR. NO: 50869-200(B017-174-BBT)	ISSUE
PART NO: BPSC174	DATE: 08/07/07	30
UNIT: mm	SHEET:	